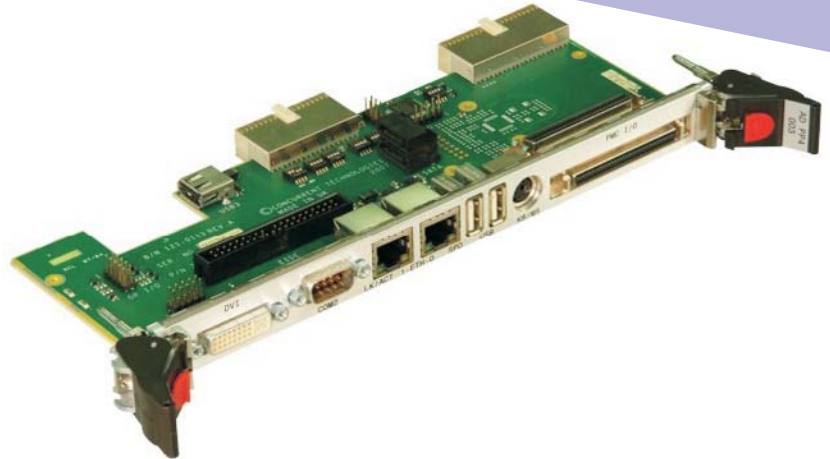


Transition Module



APPLICATIONS

The AD PP4/003 is designed to be used with Concurrent Technologies' PP 402/04x or PP 421/23x CompactPCI® Processor board families. The Transition Module mounts in the rear transition area of the CompactPCI backplane and provides very simple access to the majority of the

I/O functions provided on the processor board. Many I/O interfaces are accessed through the Transition Module's own front panel and the remainder from headers mounted on the Module.

HIGHLIGHTS

- Transition Module for rear I/O:
 - 80mm depth as per CompactPCI specification
 - single slot
- Interfaces to processor board via J3 and J5
- Dual 10/100/1000Mbps Ethernet via RJ45 connectors on Transition Module's front panel
- 2 x SATA interfaces via onboard dual connector
- 3 x USB interfaces:
 - 2 via USB connectors on front panel
 - 1 via onboard horizontal USB connector
- EIDE interface via 40-way header
- Analog and digital graphics interfaces
- PMC I/O via 68-way connector on Transition Module's front panel and 68-way vertical on-board connector:
 - wiring compatible with Concurrent Technologies' SCSI PMC modules
- 2 x RS232 interfaces:
 - 1 via front panel 9-way D-type connector
 - 1 via onboard 10-way header
- keyboard and mouse interfaces
- PC Speaker, external reset, system fan monitor and general purpose user I/O via on-board headers
- Extended temperature version available:
 - -25°C to +70°C (E-Series)
 - -40°C to +85°C (K-Series, includes humidity sealant)

Ethernet Interface

- two channels
- supports 10BaseT, 100BaseTx and 1000BaseT for UTP CAT5e via RJ45 connectors on front panel
- Ethernet signals are routed via transition module's front panel or via PICMG® 2.16 Packet Switching Backplane

Hard Disk Interfaces

- 2 x SATA150 interfaces via onboard dual connector:-
 - transfer rates up to 150Mbytes/s
- EIDE interface supports Ultra-DMA 100 speeds via 40-way header:-
 - interface only supported by PP 421/23x

USB Interface

- 3 x USB channels:-
 - 2 channels accessed via USB connectors on front panel
 - 1 channel accessed via onboard USB connector

Graphics

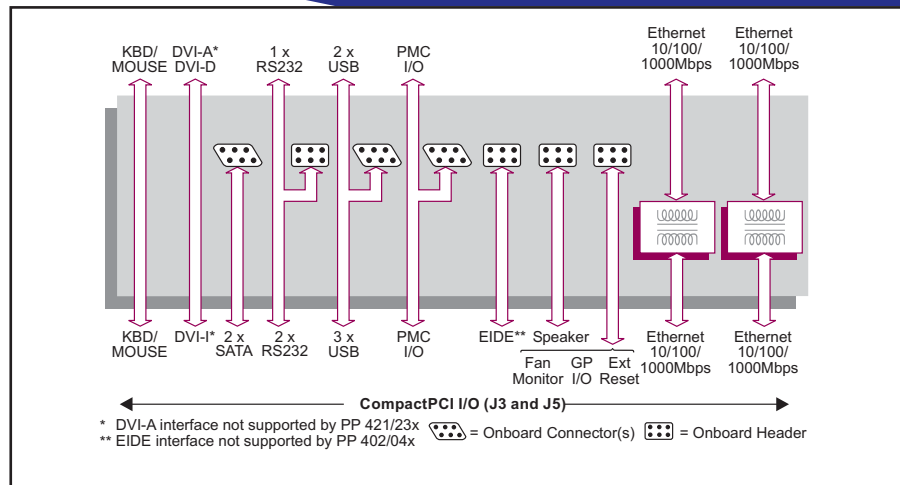
- analog and digital graphics accessed via front panel DVI-I connector:-
 - analog graphics only supported by PP 402/04x

PMC I/O

- accessed via front panel and onboard 68-way high density D-type connectors:-
 - wiring compatible with Concurrent Technologies PMC SCSI modules

Serial Interfaces

- 2 x RS232 asynchronous serial channels:-
 - 1 channel accessed via 9-way D-type connector on front panel
 - 1 channel accessed via onboard 10-way header
 - both channels support TXD, RXD, RTS, CTS, DTR, DSR, DCD and RI



Other Interfaces

- keyboard and mouse interfaces accessed via single front panel PS/2 connector
- PC speaker via 5-way header
- 10-way header providing:-
 - system fan monitor
 - external reset
 - general purpose user I/O lines (GP I/O)

Environmental Specification

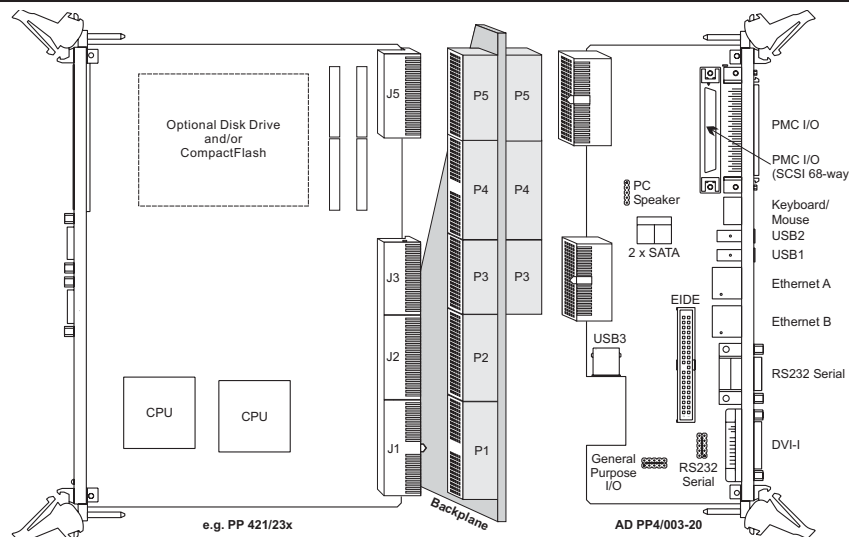
- operating temperatures:-
 - 0°C to +55°C (N-Series)
 - -25°C to +70°C (E-Series)
 - -40°C to +85°C (K-Series)
- 10% to 90% Relative Humidity, non-condensing (operating):-
 - K-Series includes humidity sealant
- -40°C to +85°C (storage)
- 10% to 90% Relative Humidity, non-condensing (storage)

Electrical Specification

- all voltages to be within ±5%
- +5V@0.1A - quiescent current; +3.3V@0.3A

Mechanical Specification

- 6U form-factor: 9.2" x 3.2" (233.35mm x 80mm)
- single-slot: 0.8" (20.3mm)
- connectors: IEC-1076-4-101 for J3 and J5
- shock:
 - 20g, 11ms, ½ sine (operating);
 - 30g, 11ms, ½ sine (non-operating)
- vibration:
 - 5Hz-2000Hz at 2g, 0.38mm peak displacement (operating);
 - 5Hz-2000Hz at 5g, 0.76mm peak displacement (non-operating)



ORDERING INFORMATION

Order Number	Product Description (Hardware)
AD PP4/003-20	Transition Module for PP 421/23x and PP 402/04x

For extended temperature, E or K-Series, please contact your local sales office