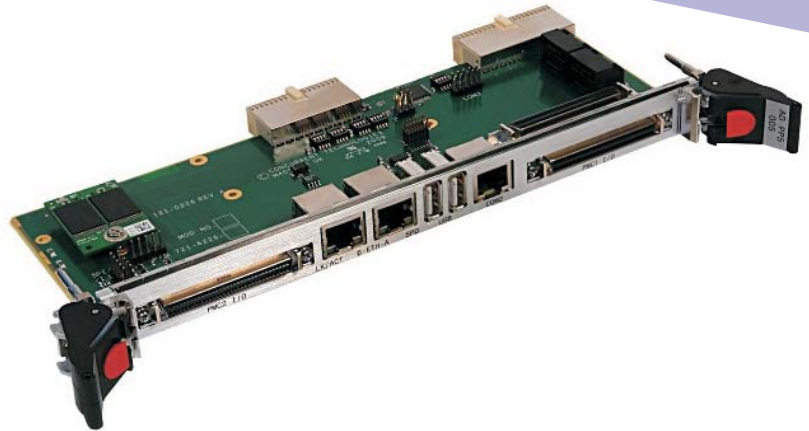


## Transition Module



### APPLICATIONS

The AD PP5/005 is designed to be used with Concurrent Technologies' PP 512/06x CompactPCI® Processor board family. The Transition Module mounts in the rear transition area of the CompactPCI backplane and provides very simple access to the majority of the I/O

functions provided on the processor board. Many I/O interfaces are accessed through the Transition Module's own front panel and the remainder from headers mounted on the Module.

### HIGHLIGHTS

- Transition Module for rear I/O:
  - 80mm depth as per CompactPCI specification
  - single slot
- Interfaces to processor board via J3 and J5
- Dual 10/100/1000Mbps Ethernet via RJ45 connectors on Transition Module's front panel
- 4 x SATA interfaces via on-board connectors
- 3 x USB interfaces:
  - 2 via USB connectors on front panel
  - 1 supporting optional on-board Flash disk
- Stereo Audio provided by optional daughter board with high definition audio codec and 4 horizontal onboard jack sockets:
  - stereo line in
  - stereo mic in
  - stereo line out
  - stereo headphones out
- RS232 serial port via front panel and via 10-way header
- External reset, system fan monitor and general purpose user I/O via 10-way header
- 2 x PMC/XMC I/O via 68-way connectors on Transition Module's front panel:
  - 1 x I/O interface is also available via 68-way vertical on-board connector
  - wiring compatible with Concurrent Technologies' SCSI PMC modules

## Ethernet Interface

- two channels
- supports 10BaseT, 100BaseTx and 1000BaseT for UTP CAT5 via RJ45 connectors on front panel
- Ethernet signals are routed via transition module's front panel or via PICMG® 2.16 Packet Switching Backplane

## Serial ATA

- 4 x SATA300 interfaces via on-board connectors:-
- transfer rates up to 300Mbytes/s

## Serial Interface

- 1 x RS232 asynchronous serial port:-
- accessed via RJ45 connector on front panel
- RJ45 to 9-way D connector cable provided
- also accessed via on-board 10-way header
- supports TXD, RXD, RTS, CTS, DTR, DSR and DCD

## USB Interface

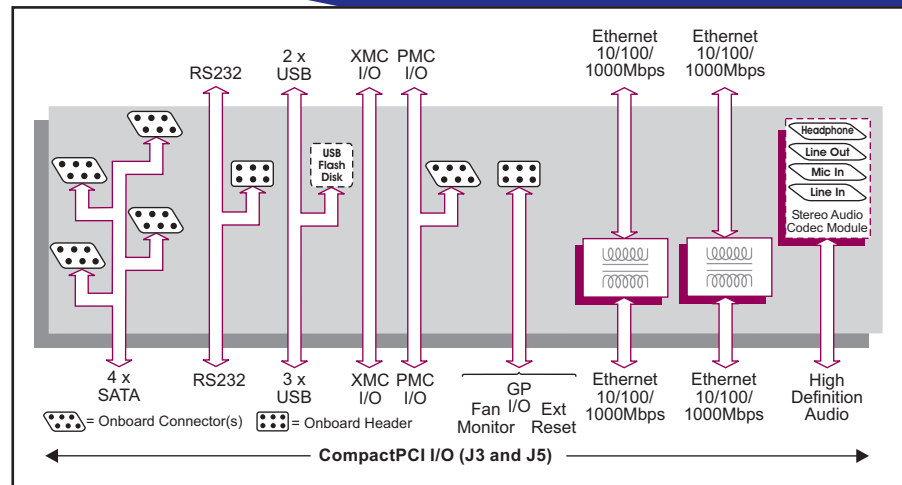
- 3 x USB channels:-
- 2 channels accessed via USB connectors on front panel
- 1 supporting optional on-board Flash disk

## Stereo Audio Interface

- optional daughter board with HD codec supports:-
- stereo line in
- stereo microphone in
- stereo line out
- stereo headphones out
- accessed via 4 onboard horizontal jack sockets

## PMC/XMC I/O

- 2 x 68-way high density D-type connectors on the front panel
- vertical on-board 68-way high density D-type connector
- each connector provides 64 bits of I/O from one PMC or XMC site
- PMC I/O wiring compatible with Concurrent Technologies PMC SCSI modules



## Other Interfaces

- 10-way on-board header providing:-
- system fan monitor
- external reset
- general purpose user I/O lines (GP I/O)

## Electrical Specification

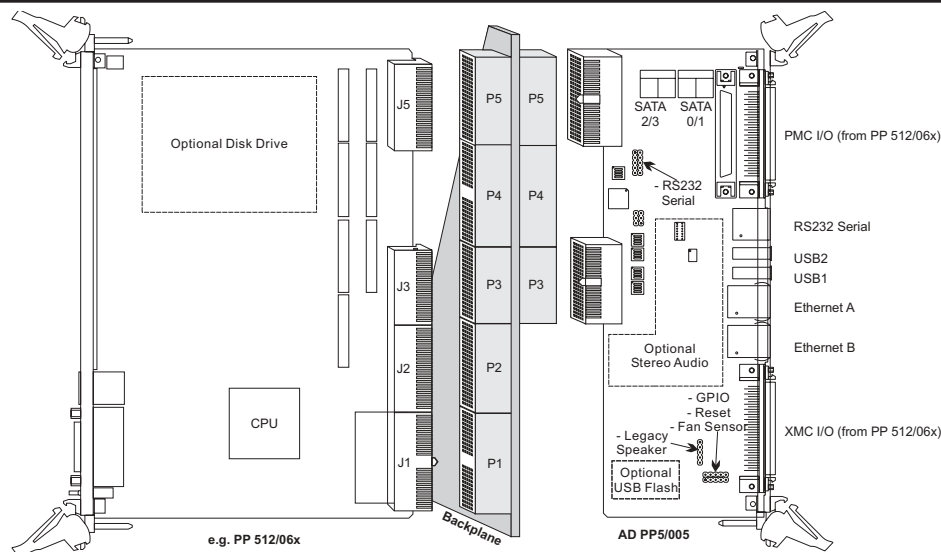
- all voltages to be within  $\pm 5\%$
- +5V@0.1A - quiescent current; +3.3V@0.1A

## Environmental Specification

- operating temperatures:-
- 0°C to +55°C (N-Series)
- -40°C to +85°C (storage)
- 5% to 95% Relative Humidity, non-condensing (operating)
- 5% to 95% Relative Humidity, non-condensing (storage)

## Mechanical Specification

- 6U form-factor: 9.2" x 3.2" (233.35mm x 80mm)
- single-slot: 0.8" (20.3mm)
- connectors: IEC-1076-4-101 for J3 and J5
- shock: 20g, 11ms, 1/2 sine (operating); 30g, 11ms, 1/2 sine (non-operating)
- vibration: 5Hz-2000Hz at 2g, 0.38mm peak displacement (operating); 5Hz-2000Hz at 5g, 0.76mm peak displacement (non-operating)



## ORDERING INFORMATION

Order Number	Product Description (Hardware)
AD PP5/005-10	Transition Module
AD PP5/005-14	Transition Module with 4Gbytes Flash disk
AD PP5/005-20	Transition Module with stereo audio I/O
AD PP5/005-24	Transition Module with stereo audio I/O and with 4Gbytes Flash disk