

## Transition Module



### APPLICATIONS

The AD TP1/001 is designed to be used with Concurrent Technologies 3U CompactPCI® Slot Controller, the TP 302/32x. The Transition Module mounts in the rear transition area of the CompactPCI backplane and provides very simple access to the majority of the I/O

functions provided by the processor board. Many I/O functions are provided on the Transition Module's own front panel as well as from headers mounted on the Module.

### HIGHLIGHTS

- Transition Module for rear I/O:
  - 80mm depth as per CompactPCI specification
  - single slot
- Interfaces to CompactPCI via J2
- 2 x Serial ATA150 interfaces via standard SATA headers:
  - transfer rates up to 150Mbytes/s
- PC speaker via 5-way header
- General Purpose I/O interface via 5-way header
- 2 x USB interfaces via USB connector on Transition Module's front panel and 10-way header
- Digital graphics interface via front panel connector
- COM1 port via 9-way D-type connector on Transition Module's front panel
- COM2 Port via 10-way header
- Stereo Audio provided by onboard codec, via 10-way header:
  - stereo line in
  - stereo line out
- Extended temperature versions available:
  - -25°C to +70°C (E-Series)
  - -40°C to +85°C (K-Series, includes humidity sealant)

## Serial ATA150

- 2 x SATA150 interfaces via 2 onboard standard SATA headers:-
  - transfer rates up to 150Mbytes/s

## USB Interfaces

- USB1 accessed via USB connector on front panel
- USB2 accessed via 10-way header

## Serial Interface

- 9-way D-type front panel connector for COM1:-
  - RS232 signal level
- 10-way header for COM2:-
  - RS232 or RS485 signal levels

## Graphics Interface

- supports a DVI-D connector:-
  - for driving TFT flat panels
  - connector on front panel

## Stereo Audio Interface

- Onboard CODEC supports:-
  - stereo line-in
  - stereo line-out
  - accessed via 10-way IDC header

## Other Interfaces

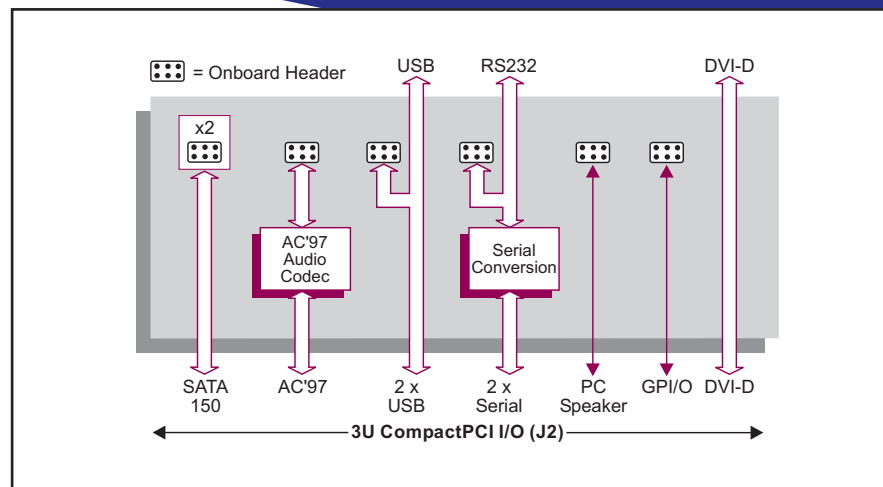
- PC speaker via 5-way header
- General Purpose I/O interface via 5-way header

## Environmental Specification

- operating temperatures:-
  - 0°C to +55°C (N-Series)
  - 25°C to +70°C (E-Series)
  - 40°C to +85°C (K-Series)
- 10% to 90% Relative Humidity, non-condensing (operating):-
  - K-Series includes humidity sealant
- 40°C to +85°C (storage)
- 10% to 90% Relative Humidity, non-condensing (storage)

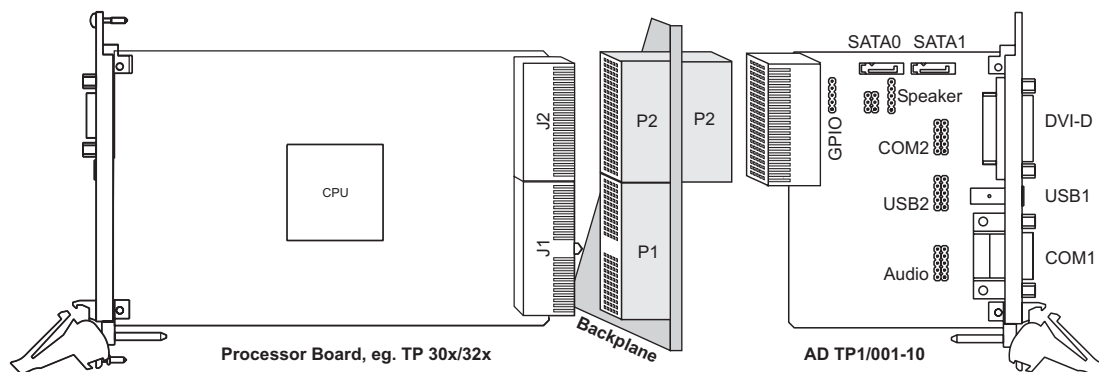
## Electrical Specification

- all voltages to be within  $\pm 5\%$
- +5V@0.2A; +3.3V@0.15A; +12V@0.0 A; -12V@0.0 A



## Mechanical Specification

- 3U form-factor:- 3.9" x 3.2" (99mm x 80 mm)
- single-slot: 0.8" (20.3mm)
- connector: IEC-1076-4-101 for J2
- shock:
  - 20g, 11ms, 1/2 sine (operating);
  - 30g, 11ms, 1/2 sine (non-operating)
- vibration:
  - 5Hz-2000Hz at 2g, 0.38mm peak displacement (operating);
  - 5Hz-2000Hz at 5g, 0.76mm peak displacement (non-operating)



## ORDERING INFORMATION

### Order Number Product Description (Hardware)

AD TP1/001-10 3U CompactPCI Transition Module for TP 30x/32x

For extended temperature, E or K-Series, please contact your local sales office