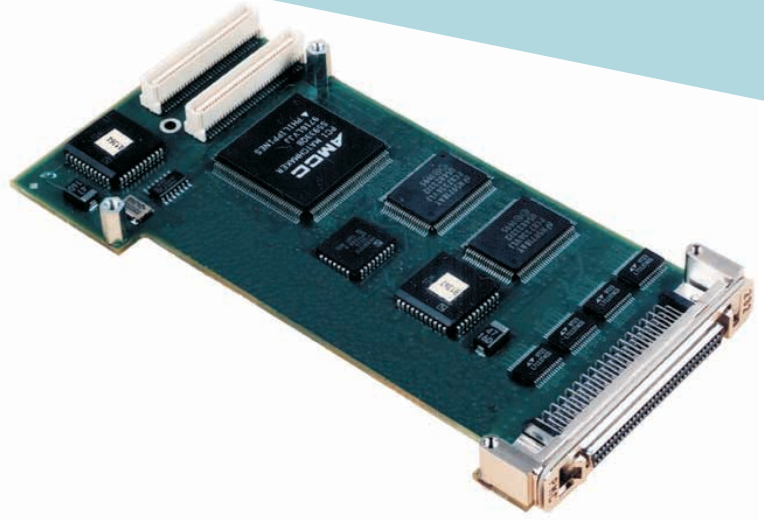


Serial and Parallel Controller



APPLICATIONS

The CC PMC/232 is a multi-functional I/O controller which provides 4 asynchronous PC compatible serial channels together with a PC compatible parallel printer interface. The board will operate with any PMC host including Multibus II, VMEbus and CompactPCI®. Typical applications include industrial control, telemetry and telecommunications.

HIGHLIGHTS

- Multi-channel serial and parallel I/O controller:
 - 4 x RS232 serial channels
 - 1 parallel printer port
- PMC (PCI Mezzanine Card) format:
 - single size CMC (Common Mezzanine Card)
 - 32-bit interface
 - 5 Volt interface
- 64 Kbytes of Flash EPROM
- PCI clock rates up to 33MHz
- Software support for Linux®, VxWorks®, QNX®, Windows NT®, and Solaris™
- For use with Multibus II, VMEbus and CompactPCI PMC Host Boards

Serial Communications

- 4 serial channels implemented by two National Semiconductor Super I/O Controllers
- 16C550 compatible
- asynchronous data rates up to 115kbaud
- modem control - CTS, RTS, DSR, DTR, DCD and RI
- RS232 electrical interface
- all serial I/O signals accessed via a 68-way front panel connector
- optional breakout cable allowing simple connection to standard 9-way D-type connectors

Parallel Interface

- PC compatible parallel interface which can operate as:-
 - standard interface
 - EPP
 - EPC
- no DMA support
- accessed via the 68-way front panel connector

Flash EPROM

- 64 Kbytes Flash EPROM
- 8-bits wide
- supports read and write accesses

PMC Interface

- complies with PCI Protocol and Electrical Specifications
- supports PCI clock rates up to 33 MHz:-
 - 5V signaling interface
- 32-bit interface
- base address and software configurable

Software

- support for Linux, VxWorks, Windows NT, Solaris and QNX

Electrical specification

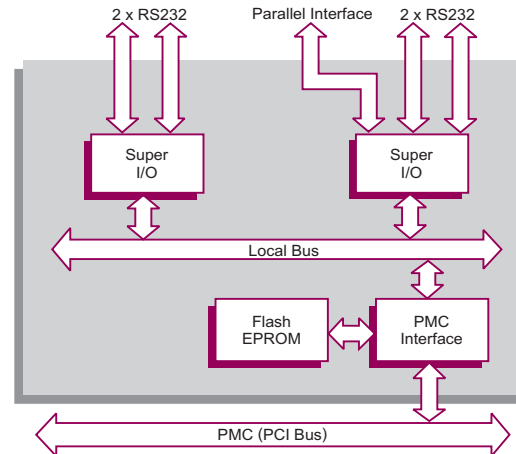
- all voltages to be within $\pm 5\%$
- 0.9A (typical) current consumption at 5 Volts

Mechanical Specification

- single size CMC (Common Mezzanine Card) 75mm x 150mm

Environmental Specification

- 0°C to +55°C (operating)
- 10% to 90% Relative Humidity (operating)
- -40° to +70° (storage)
- 10% to 90% Relative Humidity (storage)



ORDERING INFORMATION

Order Number Product Description (Hardware)

CC PMC/232-01	Multi-Channel Serial and Parallel I/O Controller
CC PMC/232-02	Multi-Channel Serial and Parallel I/O Controller with Cable Assembly
CB PMC/232-00	Cable Assembly (68-way to 4 x 9-way D-types + 1 x 25-way D-type)