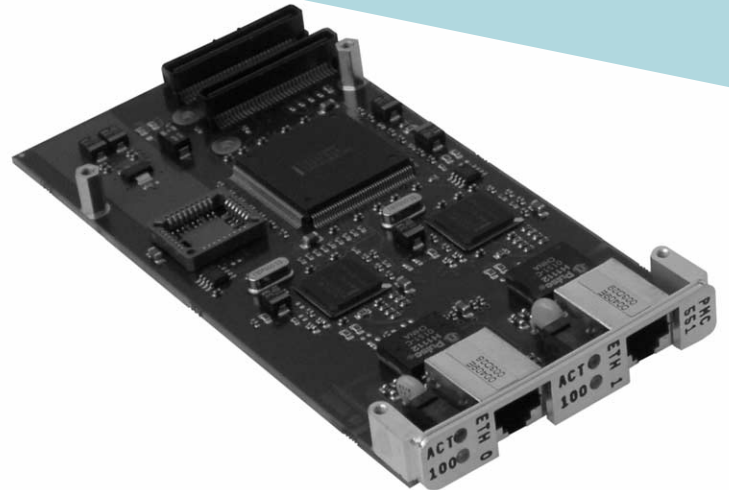


Dual Channel PMC Ethernet Adaptor



APPLICATIONS

The CL PMC/551 is a dual channel, single slot, intelligent Ethernet adaptor suitable for use with PMC Host Boards including Multibus II, VME and CompactPCI®. The on-board Intel® 82551 controllers manage the Ethernet protocol (including checksums), thereby alleviating the processing load of the host CPU.

HIGHLIGHTS

- High performance 32-bit LAN interfaces:
 - Two independent 10/100BaseT channels
 - Ethernet (10BaseT/100BaseTx supported)
 - standard RJ45 connectors
 - 100Mbps with CAT5 cabling
 - speed and status indicators
- Hardware checksum calculation (full duplex)
- PMC (PCI Mezzanine Card) format:
 - single size CMC (Common Mezzanine Card)
 - 32-bit interface
 - 3.3V or 5V interface
- Support for Boot EPROM
- PCI clock rates up to 33MHz
- Software support for VxWorks®, Windows NT® 4.0, Windows® 2000, Windows® XP, Windows® XP Embedded and UnixWare®
- For use with Multibus II, VME and CompactPCI PMC Host Boards

Ethernet Interfaces

- single-chip Intel® 82551QM Ethernet controller per channel, includes enhanced IP Protocol support:-
 - TCP, UDP, IP checksum offload
 - received checksum verification
- supports ISO 8802-3 (IEEE 802.3 and 802.3u) Ethernet standards
- high-performance 32-bit Bus Master architecture with integrated DMA buffer Management Unit for low CPU and bus utilization
- full-duplex operation for increased network bandwidth
- individual transmit and receive FIFOs provide frame buffering for improved performance and supports the following features:-
 - automatic retransmission
 - automatic receive stripping and transmit padding (individually programmable) Checksum Calculation
 - automatic runt frame rejection
 - automatic selection of received collision frames
- provision for Boot EPROM for diskless node applications
- connection via standard RJ45 connectors

PMC Interface

- Peripheral Component Interconnect (PCI) local bus implemented using an Intel® 21152 transparent bridge
- direct interface to the PCI local bus (Revision 2.1 compliant)
- complies with PCI Protocol Specification
- complies with PCI Electrical Specification
- supports PCI clock rates up to 33MHz
- supports 3.3V or 5V signaling
- 32-bit interface
- bus master capability
- base address and interrupt selection software configurable

Boot EPROM

- 32-pin PLCC JEDEC socket, 8-bits wide:-
 - supports a 29F010 or 29F040 device
 - in-circuit programmable for BIOS updates

Software

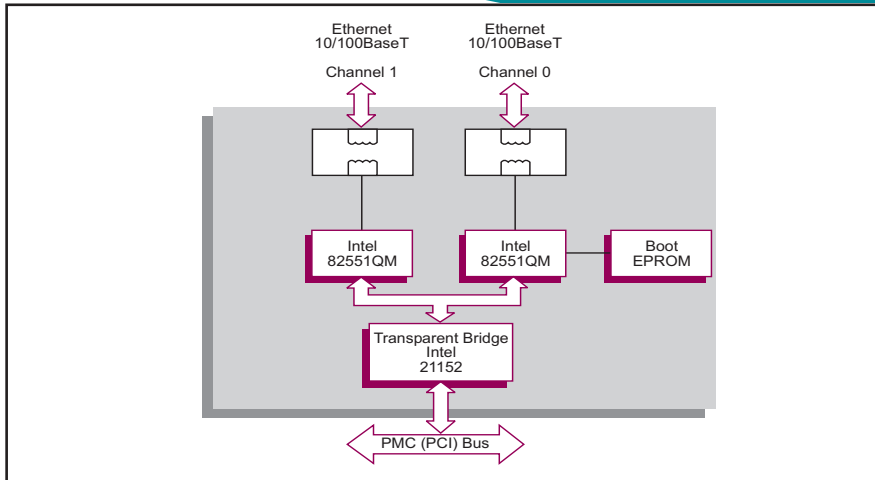
- support for Software support for VxWorks, Windows NT 4.0, Windows 2000, Windows XP, Windows XP Embedded and UnixWare

Electrical Specification

- all voltages to be within $\pm 5\%$
- 0.7A (typical) current consumption at 5V
- +12V and -12V not utilized

Environmental Specification

- 0°C to +55°C (operating)
- 10% to 90% Relative Humidity, non-condensing (operating)
- -40°C to +70°C (storage)
- 10% to 90% Relative Humidity, non-condensing (storage)



Mechanical Specification

- single size CMC (Common Mezzanine Card) 75mm x 150mm
- 10mm height stack module

ORDERING INFORMATION

Order Number Product Description (Hardware)

CL PMC/551-00 Dual Channel Ethernet Adaptor for PMC